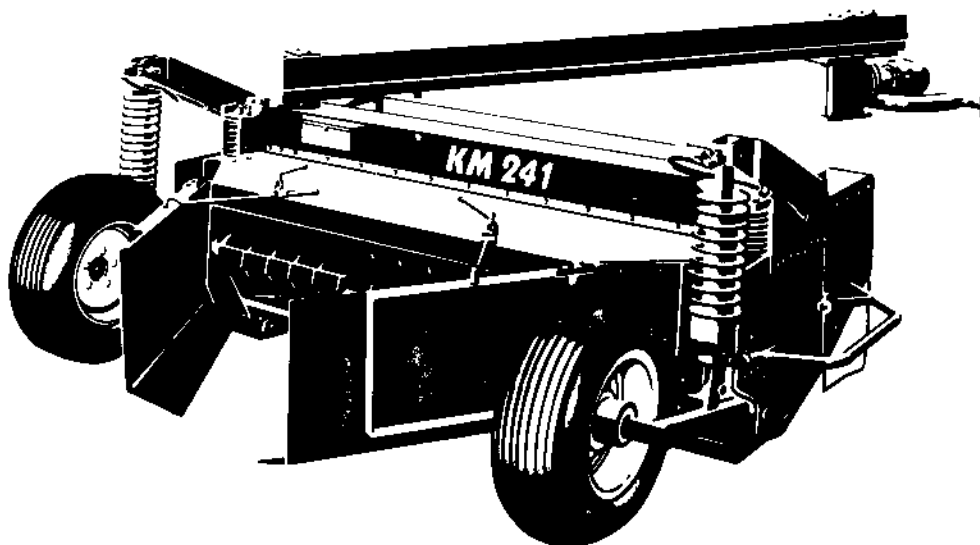
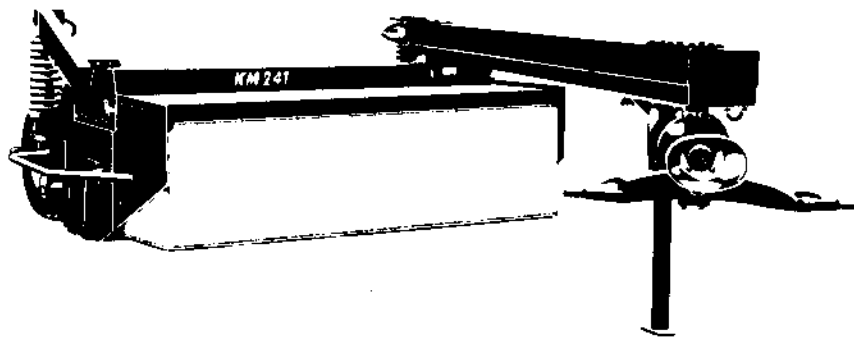




spare parts list
onderdelenlijst
pièces détachées
ersatzteilliste

KM 241 serie 27025

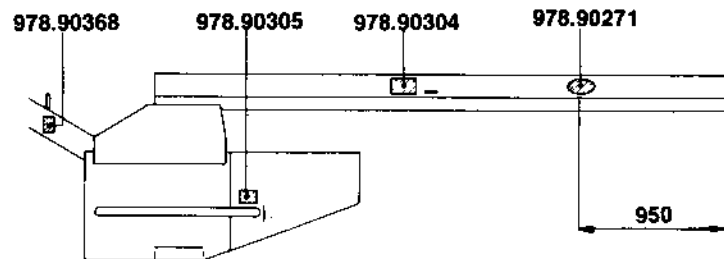
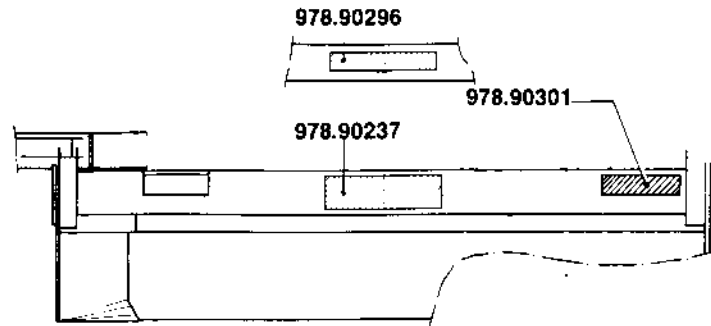
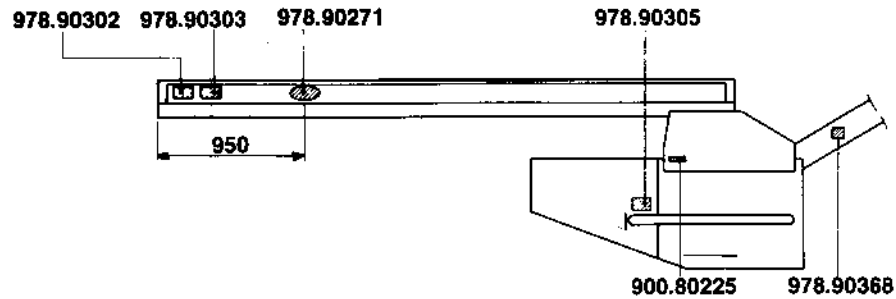
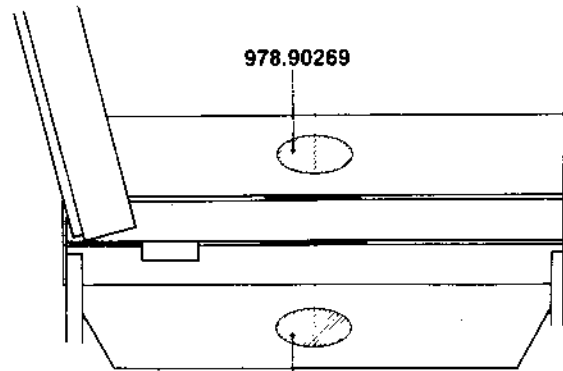


DECALS

bestelnummer
ordernumber
num. à commander
Bestellnummer

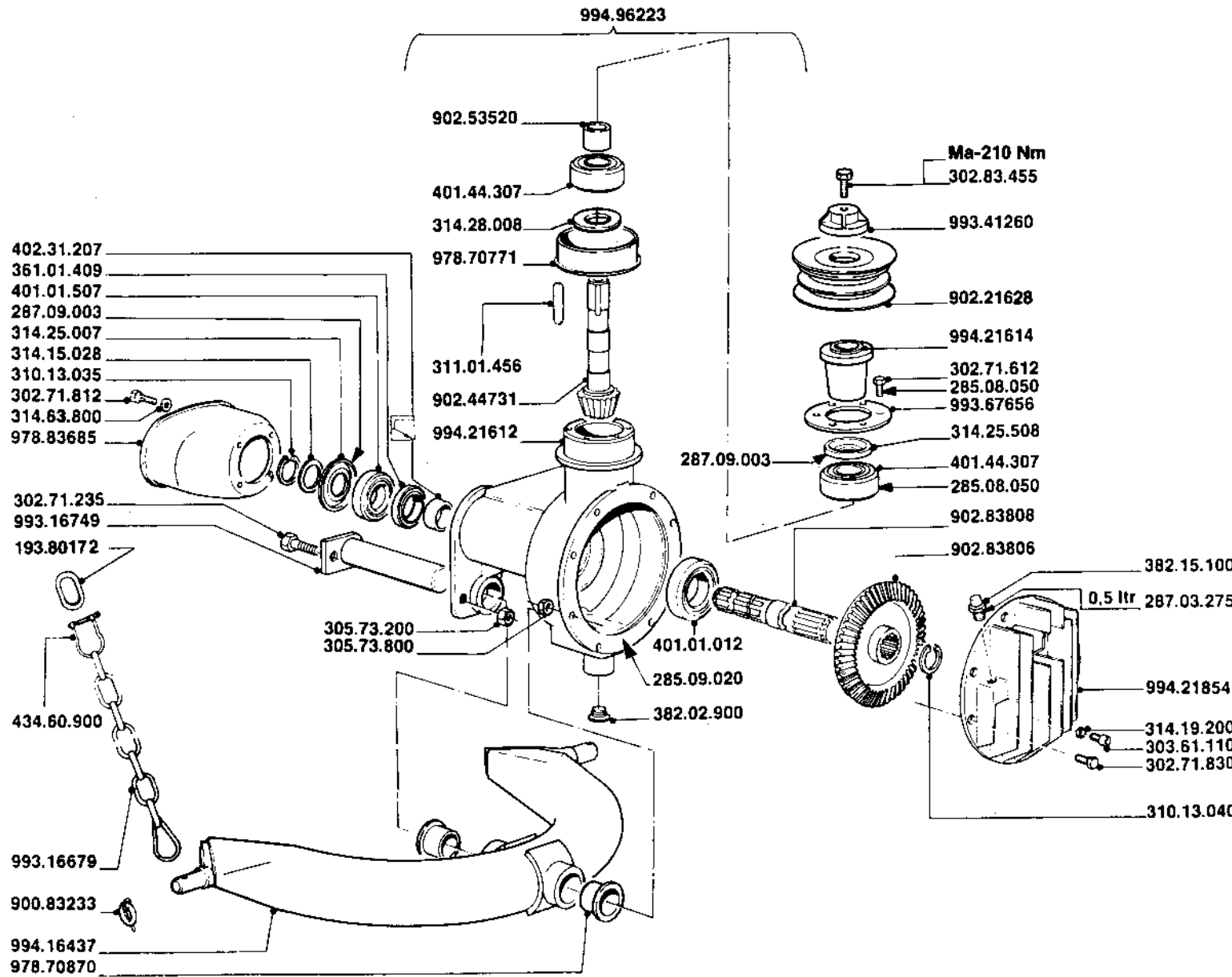


978.90237	1
978.90269	2
978.90271	2
978.90296	1
978.90301	1
978.90302	1
978.90303	1
978.90304	1
978.90305	2
978.90368	2



serial number 25

KM 241



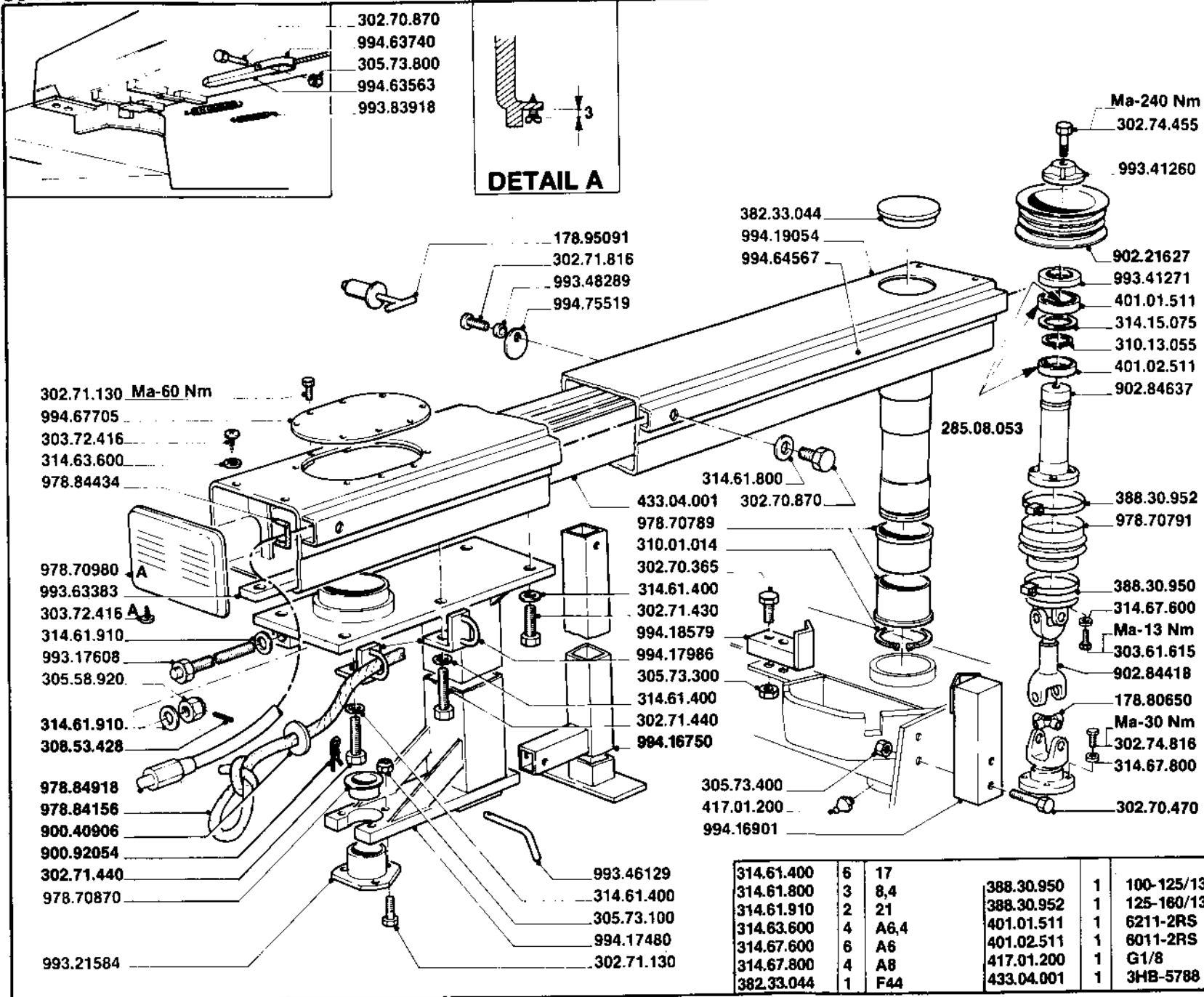
bestelnummer
ordernummer
num. à commander
Bestellnummer

994.96223	1	
902.44731	1	
902.53520	1	
902.83806	1	
902.83808	1	
978.70771	1	
993.67656	1	
994.21612	1	
994.21614	1	
994.21854	1	
285.08.050		Loctite TL270-50cc
285.09.020		Silastic RTV 732
287.09.003		Smeervet
302.71.612	6	8.8-M6x12
302.71.830	8	8.8-M8x30
303.61.110	1	10.9-M10x10
305.73.800	8	8/M8
310.13.035	1	A35x25SD
310.13.040	1	A40x2,5SD
311.01.456	1	A10x8-56
314.15.028	1	35x45x2,5
314.19.200	1	A10x16x1
314.25.007	1	6207-AV
314.25.508	1	6307-ZAV
314.28.008	1	35x45x0,3
361.01.409	1	40x65x10A
382.02.900	1	M18x1,5
382.15.100	1	G1/2
401.01.012	1	6212xC3
401.01.507	1	6207-2RS
401.44.307	2	21307
402.31.207	1	IR35x40x20,5
193.80172	1	
900.83233	2	
902.21628	1	
978.70870	2	
978.83685	1	
993.16679	2	
993.16749	1	
993.41260	1	
994.16437	1	
287.03.275		MIL-L-2105B
302.71.235	1	8.8-M12x35
302.71.812	4	8.8-M8x12
302.83.455	1	8.8-M16x55-L
305.73.200	1	8/M12
314.63.800	4	A8,4
434.60.900	2	5/8-13

serial number 27025

L2

KM 241



DETAIL A

L=5500

314.61.400	6	17	388.30.950	1	100-125/13
314.61.800	3	8,4	388.30.952	1	125-160/13
314.61.910	2	21	401.01.511	1	6211-2RS
314.63.600	4	A6,4	401.02.511	1	6011-2RS
314.67.600	6	A6	417.01.200	1	G1/8
314.67.800	4	A8	433.04.001	1	3HB-5788
382.33.044	1	F44			

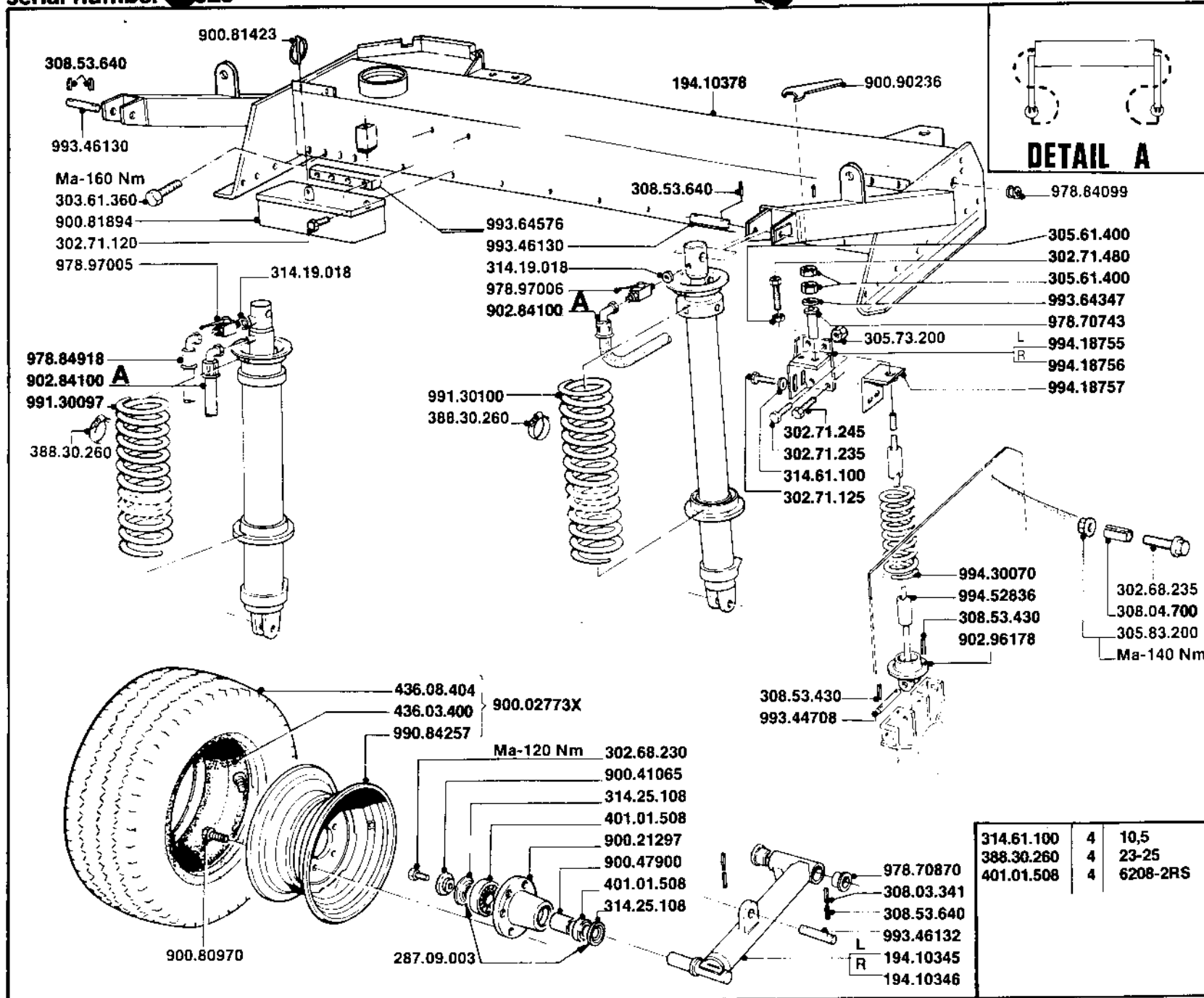
178.80650	2	
178.95091	1	
900.40906	1	
900.92054	1	
902.21627	1	
902.84418	1	
902.84637	1	
978.70789	2	
978.70791	1	
978.70870	1	
978.70980	2	
978.84156	1	
978.84434	3	
978.84918	1	
993.17608	1	
993.21584	1	
993.41260	1	
993.41271	1	
401.01.511	1	
314.15.075	1	
993.48289	1	
310.13.055	1	
993.46129	1	
993.63383	2	
993.83918	2	
994.16750	1	
994.16901	1	
994.17480	1	
994.17986	2	
994.18579	1	
994.19054	1	
994.63563	1	
994.63740	1	
994.64567	1	
994.67705	1	
994.75519	1	
285.08.053	1	Loctite TL641-50cc
302.70.365	2	8.8-M14x65
302.70.470	2	8.8-M16x70
302.70.870	5	8.8-M8x70
302.71.130	11	8.8-M10x30
302.71.430	4	8.8-M16x30
302.71.440	2	8.8-M16x40
302.71.816	7	8.8-M8x16
302.74.455	1	10.9-M16x55
302.74.816	4	10.9-M8x16
303.61.615	6	10.9-M6x15
303.72.416	8	B4,2x16
305.58.920	1	5/M20
305.73.100	3	8/M10
305.73.300	2	8/M14
305.73.400	2	8/M16
305.73.800	2	8/M8
308.53.428	1	4x28
310.01.014	1	A115
310.13.055	1	A55x3 SD
314.15.075	1	55x68x3

70.001.701-4

PEUTER

serial number 025

KM 241



900.02773X	2	
990.84257	2	700x12
436.03.400	2	100x12
436.08.404	2	10.0/80x12AW-4PR
194.10345	1	L
194.10346	1	R
194.10378	1	
900.21297	2	
900.41065	2	
900.47900	2	
900.80970	10	
900.81423	1	
900.81894	1	
900.90236	2	24
902.84100	1	L=4705
902.96178	2	
978.70743	2	
978.70870	4	
978.84099	2	
978.84918	1	L=5500
978.97005	1	L
978.97006	1	R
991.30097	1	
991.30100	1	
993.44708	2	
993.46130	2	
993.46132	2	
993.64347	2	
993.64576	1	
994.18755	1	L
994.18756	1	R
994.18757	1	
994.30070	2	
994.52836	2	
994.52836	2	
287.09.003	2	Smeervet
302.68.230	2	K100-M12x30
302.68.235	14	K100-M12x35
302.71.120	2	8.8-M10x20
302.71.125	4	8.8-M10x25
302.71.235	5	8.8-M12x35
302.71.245	1	8.8-M12x45
302.71.480	2	8.8-M16x80
303.61.360	2	10.9-M14x60
305.61.400	6	8/M16
305.73.200	6	8/M12
305.83.200	18	K10/M12
308.03.341	2	3.5x40
308.04.700	16	16x16
308.53.430	4	4x30
308.53.640	8	6x40
314.19.018	2	A18x22x1,5
314.25.108	4	6208-ZAV

serial number 27025

L4

KM 241

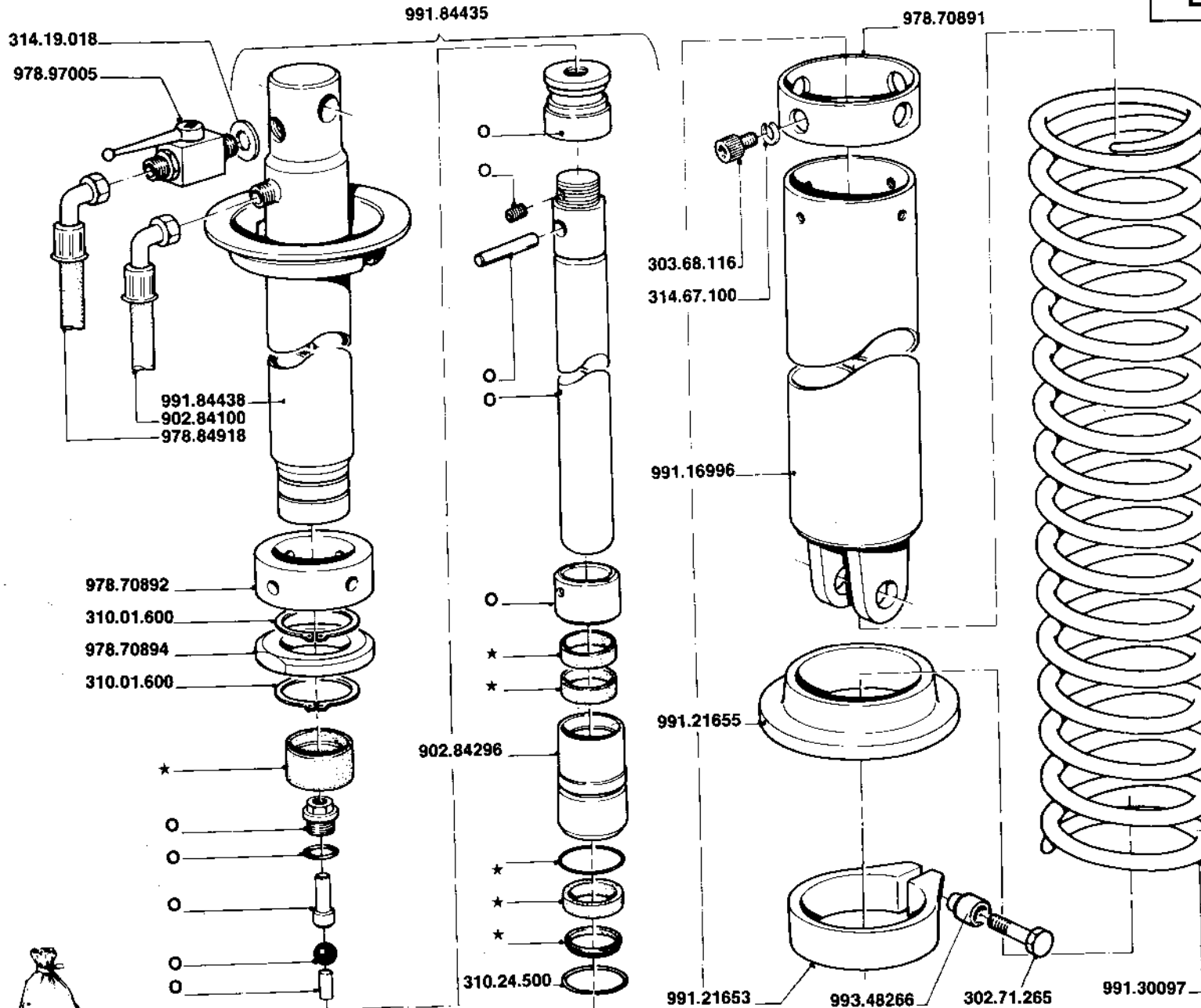
bestelnummer
 ordernummer
 num. à commander
 Bestellnummer



902.84100	1	L=4705
978.70891	1	
978.70892	1	
978.70894	1	
978.84918	1	L=5500
978.97005	1	
991.16996	1	
991.21653	1	
991.21655	1	
991.30097	1	
991.84435	1	
993.48266	1	
302.71.265	1	8.8-M12x65
303.68.116	4	8.8-M10x16
310.01.600	2	A60
314.19.018	1	A18x22x1,5
314.67.100	4	A10

991.84435	1	
902.84296	1	
*902.84300	1	
O-902.84755	1	
991.84438	1	
310.24.500	1	RD 50

16 mm

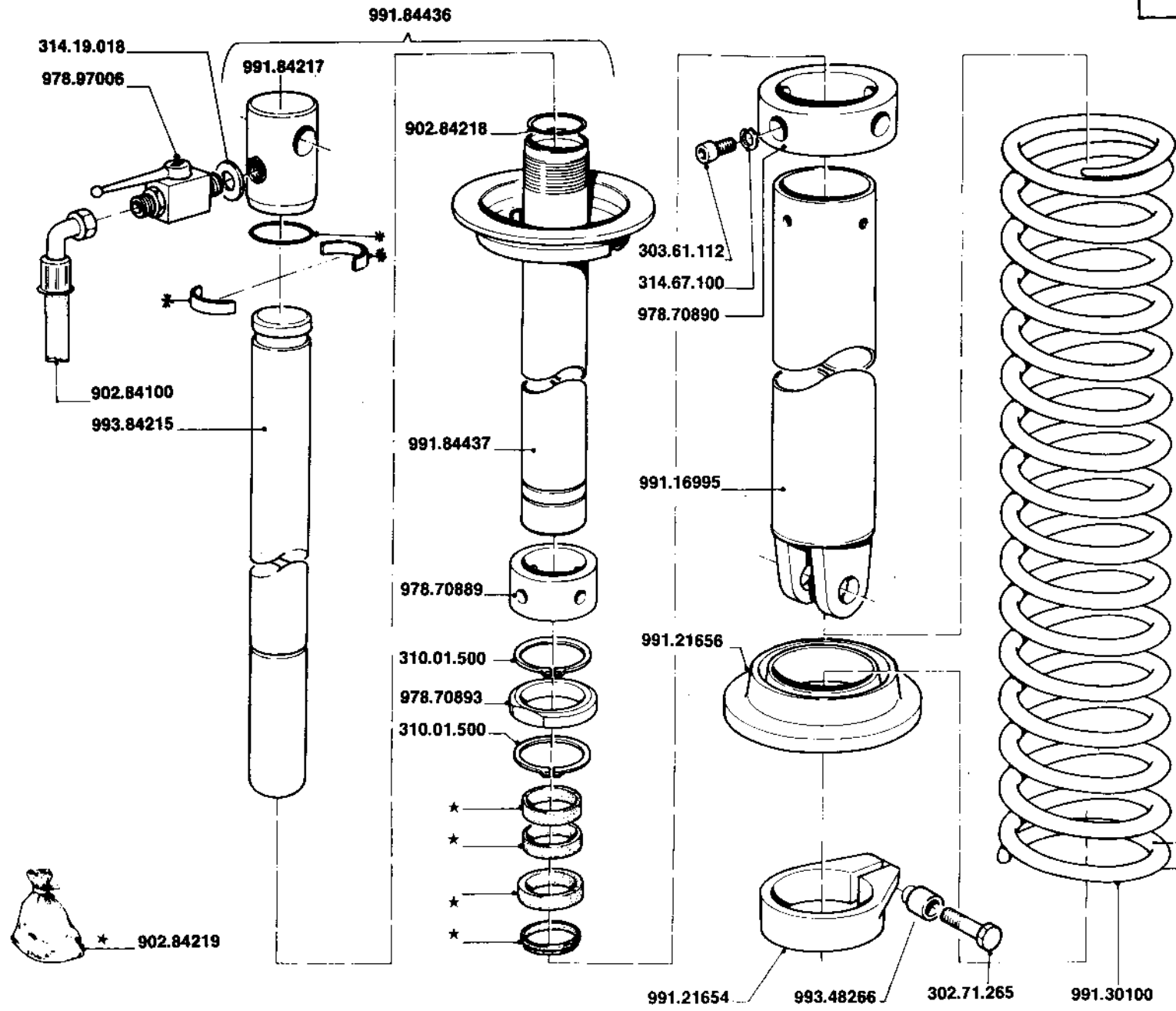


* = 902.84300
 O = 902.84755

serial number 025

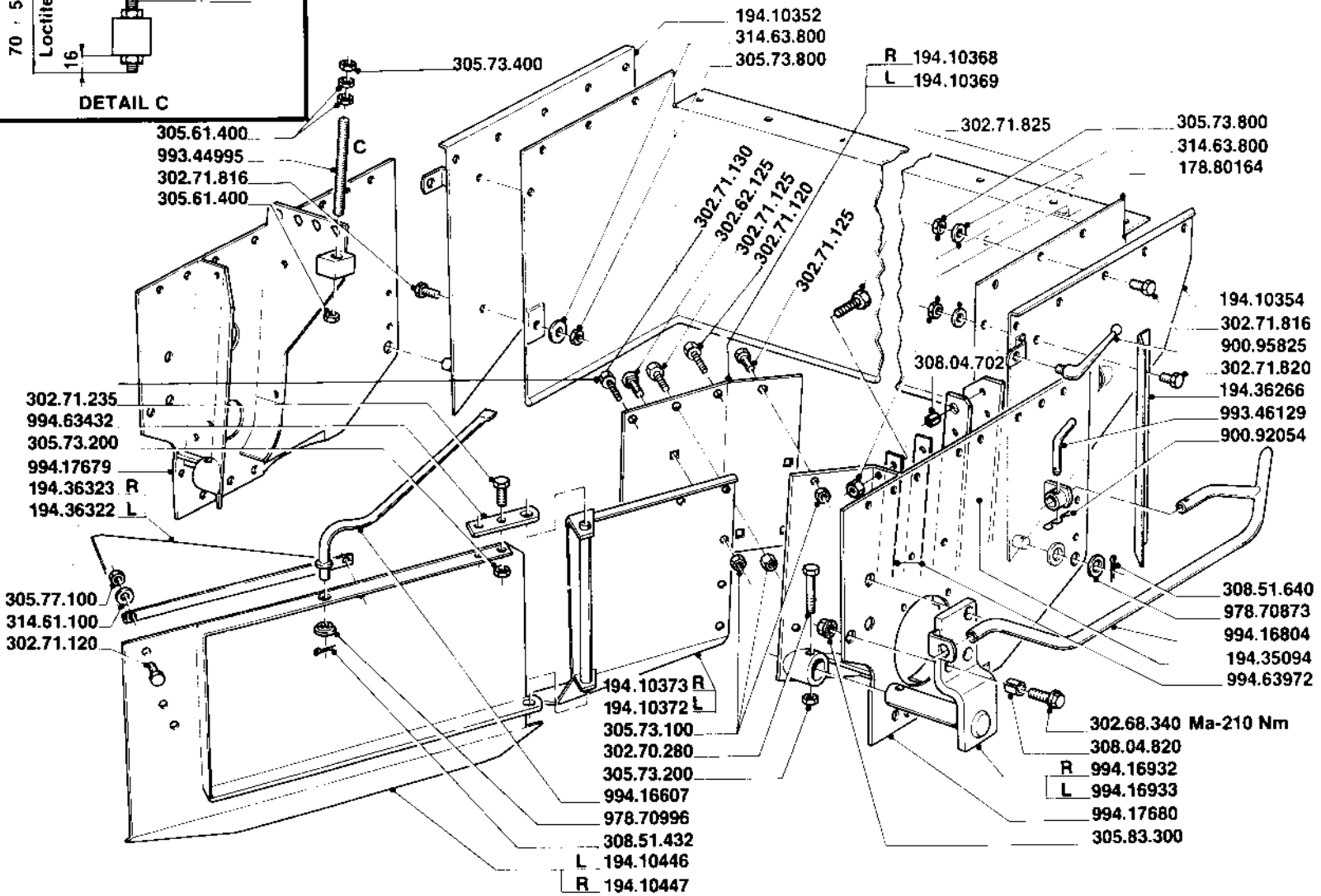
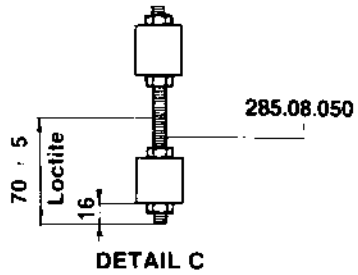
KM 241

R



bestelnummer ordernumber num. à commander Bestellnummer		
902.84100	1	L=4705
978.70889	1	
978.70890	1	
978.70893	1	
978.97006	1	
991.16995	1	
991.21654	1	
991.21656	1	
991.30100	1	
991.84436	1	
993.48266	1	
302.71.265	1	8.8-M12x65
303.61.112	4	10.9-M10x12
310.01.500	2	A50
314.19.018	1	A18x22x1,5
314.67.100	4	A10

991.84436	1
902.84218	1
902.84219	1
991.84217	1
991.84437	1
993.84215	1

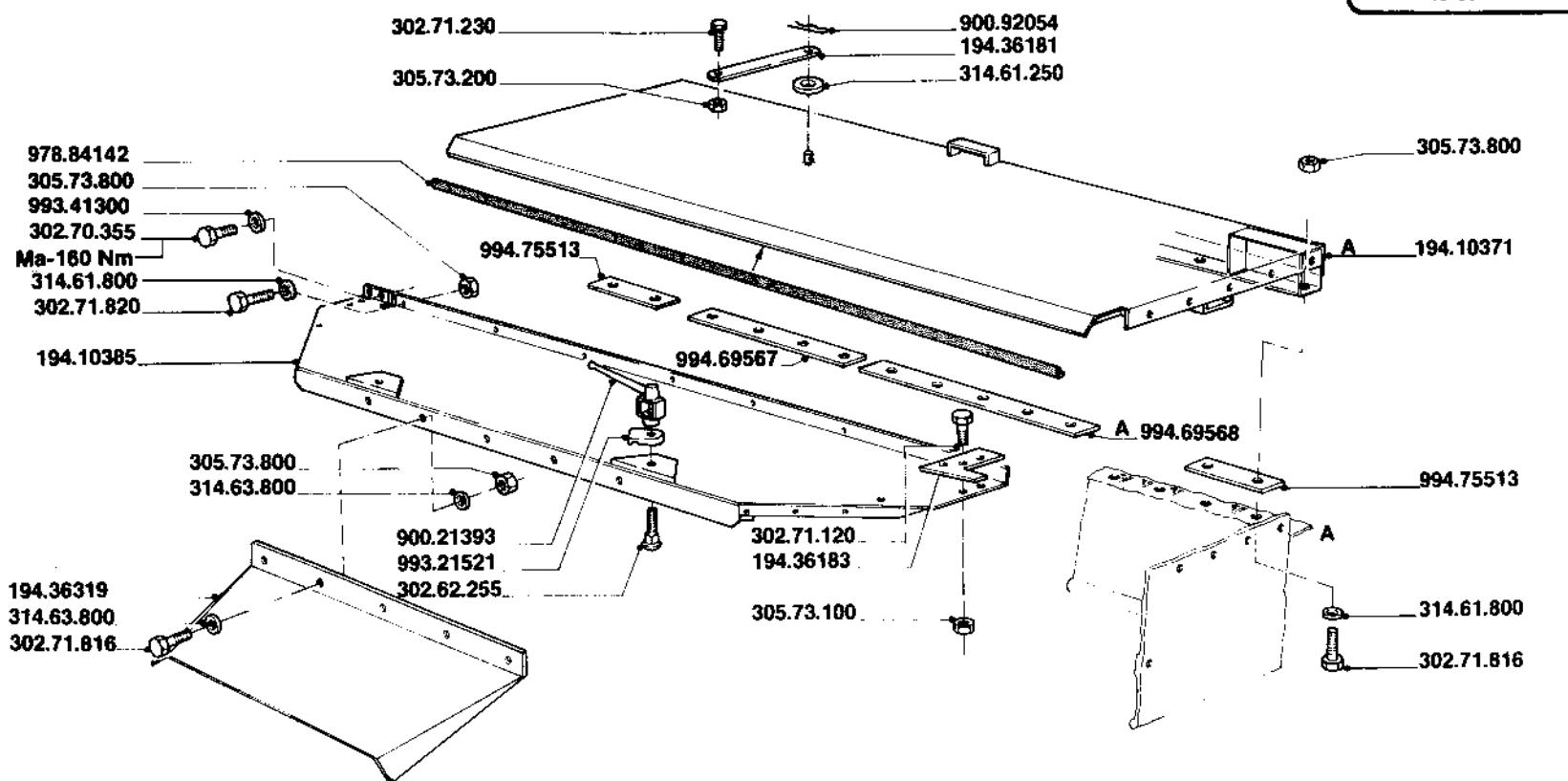
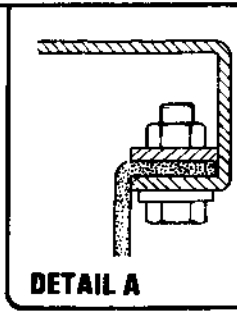


178.80164	1	
194.10352	1	L
194.10354	1	R
194.10368	1	R
194.10369	1	L
194.10372	1	L
194.10373	1	R
194.10446	1	L
194.10447	1	R
194.35094	1	
194.36266	2	
194.36322	1	L
194.36323	1	R
285.08.050		Loctite TL270-50cc
302.62.125	14	4.6-M10x25
302.68.340	6	K100-M12x40
302.70.280	2	8.8-M12x80
302.71.120	10	8.8-M10x20
302.71.125	2	8.8-M10x25
302.71.130	2	8.8-M10x30
302.71.235	5	8.8-M12x35
302.71.816	26	8.8-M8x16
302.71.820	30	8.8-M8x20
302.71.825	4	8.8-M8x25
305.61.400	3	8/M16
305.73.100	12	8/M10
305.73.200	7	8/M12
305.73.400	1	8/M16
305.73.800	58	8/M8
305.77.100	24	10/M10
305.83.300	6	K10/M14
308.04.702	1	16x10
308.04.820	6	18x20
308.51.432	2	4x32
308.51.640	2	6x40
314.61.100	24	10,5
314.63.800	28	A8,4
900.92054	2	
900.95825	2	
978.70873	4	
978.70996	2	
993.44995	1	
993.46129	2	
994.16607	2	
994.16804	2	
994.16932	1	R
994.16933	1	L
994.17679	1	L
994.17680	1	R
994.63432	2	
994.63972	4	

serial number 27025

L7

KM 241



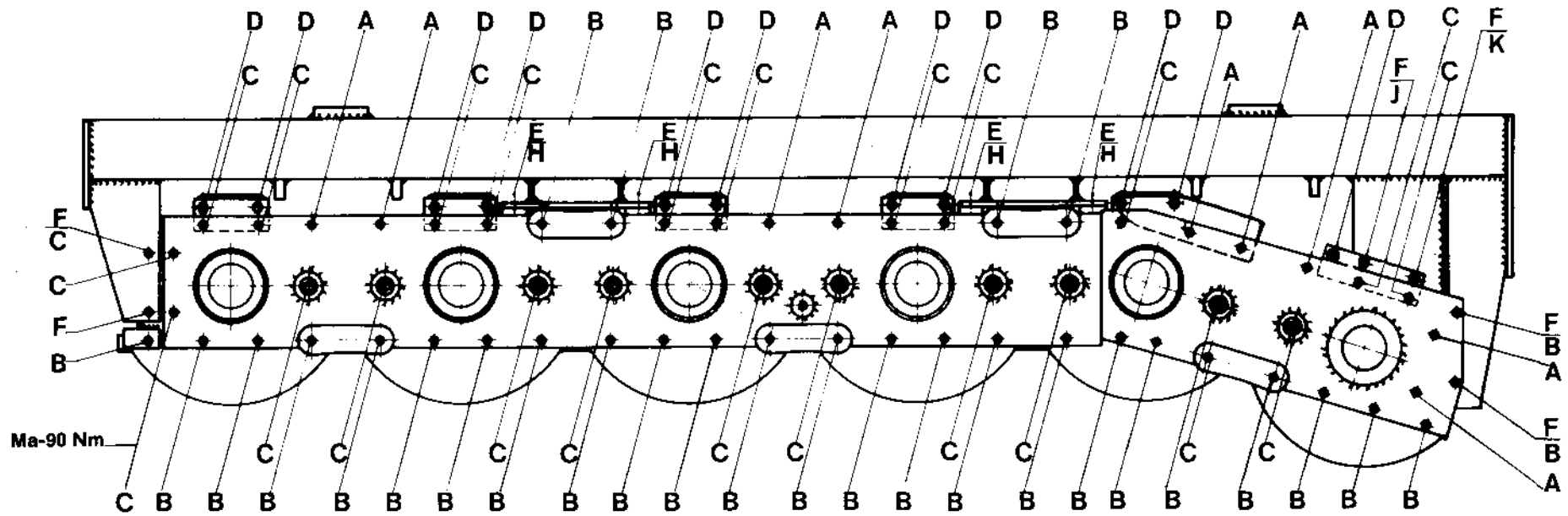
bestelnummer
ordernumber
num. à commander
Bestellnummer

194.10371	1	
194.10385	1	
194.36181	1	
194.36183	2	
194.36319	1	
302.62.255	2	4.6-M12x55
302.70.355	2	8.8-M14x55
302.71.120	10	8.8-M10x20
302.71.230	1	8.8-M12x30
302.71.816	26	8.8-M8x16
302.71.820	12	8.8-M8x20
305.73.100	12	8/M10
305.73.200	1	8/M12
305.73.800	58	8/M8
314.61.250	1	13
314.61.800	28	8,4
314.63.800	20	A8
900.21393	2	
900.92054	1	
978.84142	1	
993.21521	2	
993.41300	2	
994.69567	1	
994.69568	1	
994.75513	2	

bestellnummer
 ordernumber
 num. à commander
 Bestellnummer



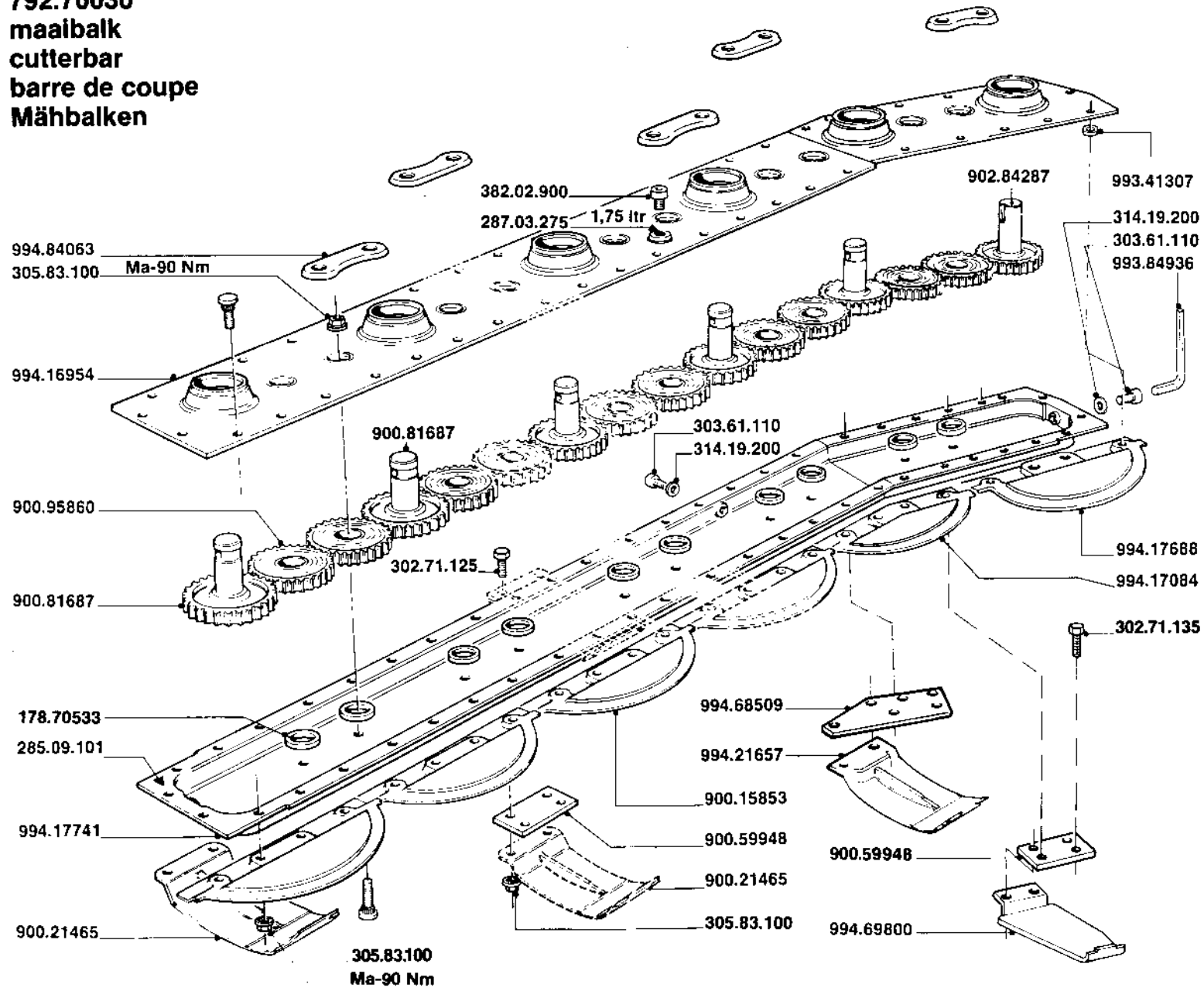
A- 900.81616	9	10.9-M10x20
B- 900.81617	32	10.9-M10x25
C- 900.81618	23	10.9-M10x30
305.83.100	64	K10/M10
D- 302.71.125	11	8.8-M10x25
E- 302.74.245	5	10.9-M12x45
F- 314.61.100	6	10,5
H- 314.61.250	5	13
J- 302.71.135	1	8.8-M10x35
K- 302.71.130	1	8.8-M10x30



A - }
 B - } Ma-90 Nm
 C - }

serial number 025

792.70030
maibalk
cutterbar
barre de coupe
Mähbalken



KM 241



bestelnummer
 ordernumber
 num. à commander
 Bestellnummer

178.70533	10	
900.15853	4	
900.21465	4	
900.59948	5	
900.81687	5	
900.95860	10	
902.84287	1	
993.41307	1	
993.84936	1	
994.16954	1	
994.17084	1	
994.17688	1	
994.17741	1	
994.21657	1	
994.68509	1	
994.69800	1	
994.84063	5	
285.09.101	1	
287.03.275		MIL-L-2105B
302.71.125	11	8.8-M10x25
302.71.135	1	8.8-M10x35
303.61.110	2	10.9-M10x10
305.83.100	12	K10/M10
314.19.200	2	A10x16x1
382.02.900	1	5.8-M18x1,5

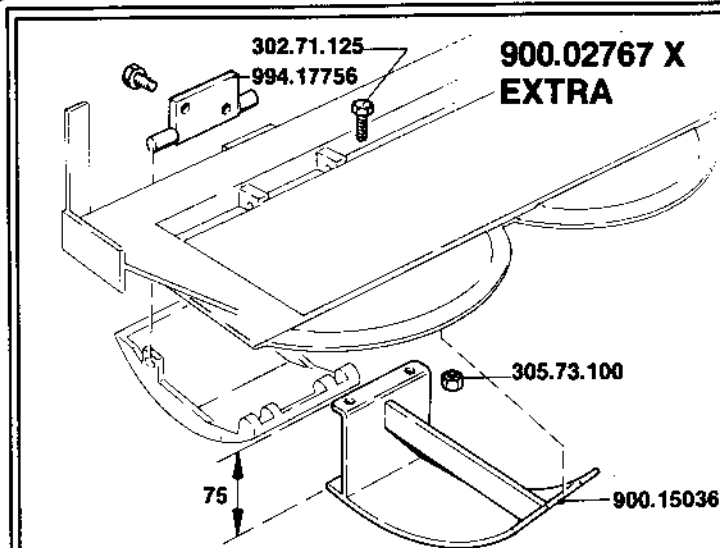
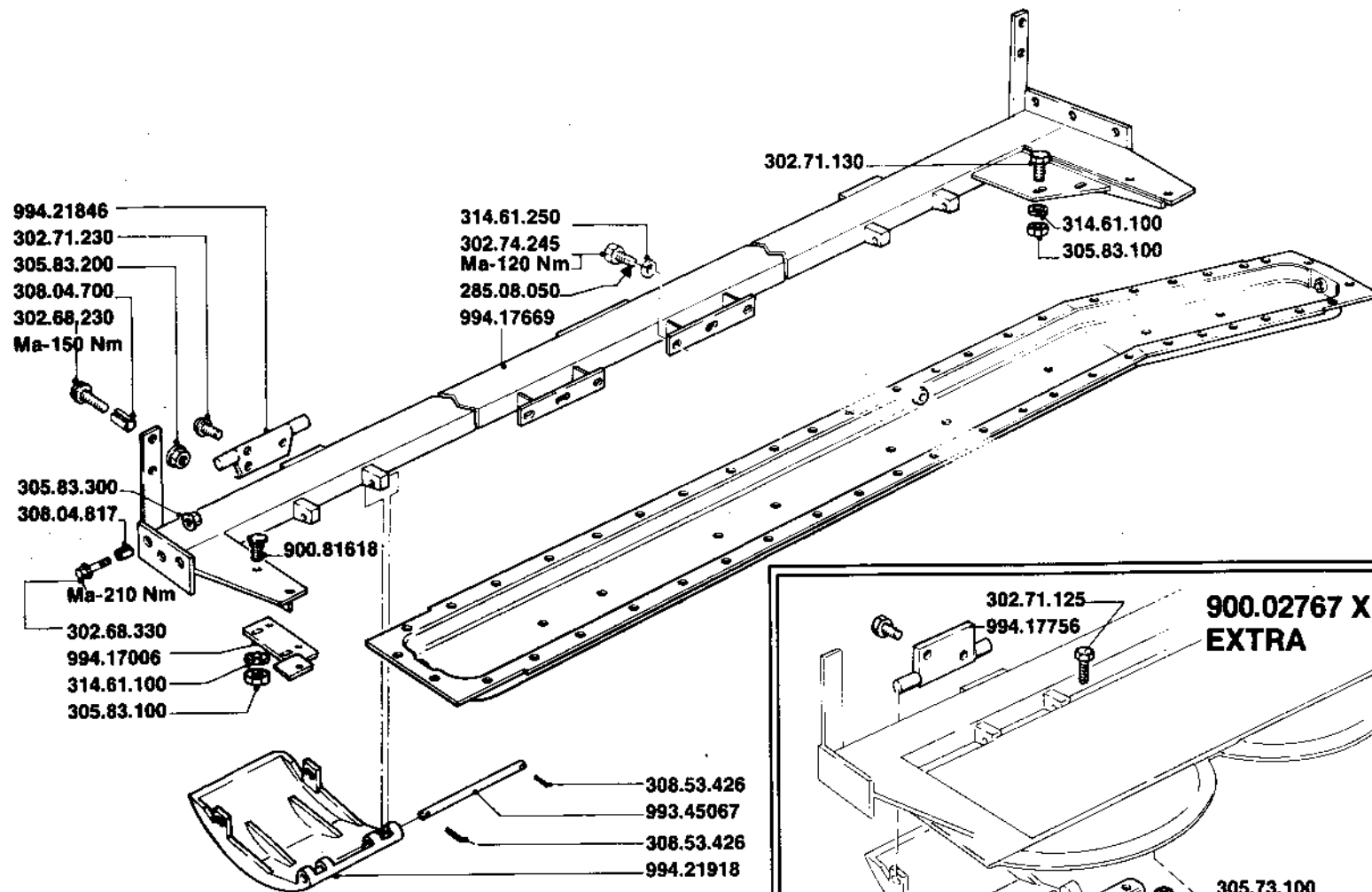
792.70030 1

serial number 27025

L10

KM 241

bestennummer
ordernummer
num. à commander
Bestellnummer



900.81618	2	10.9-M10x30
993.45067	2	
994.17006	1	
994.17669	1	
994.21846	2	
994.21918	2	
285.08.050		Loctite TL270-50cc
302.68.230	4	K100-M12x30
302.68.330	6	K100-M14x30
302.74.245	5	10.9-M12x45
302.71.130	2	8.8-M10x30
302.71.230	4	8.8-M12x30
305.83.100	4	K10/M10
305.83.200	4	K10/M12
305.83.300	6	K10/M14
308.04.700	4	16x16
308.04.817	6	18x16
308.53.426	4	4x26
314.61.100	4	10,5
314.61.250	5	13

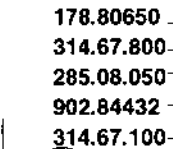
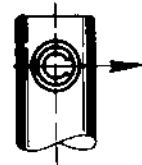
EXTRA		
900.02767X	1	
302.71.125	8	8.8-M10x25
305.73.100	8	8/M10
900.15036	4	
994.17756	2	

serial number 025

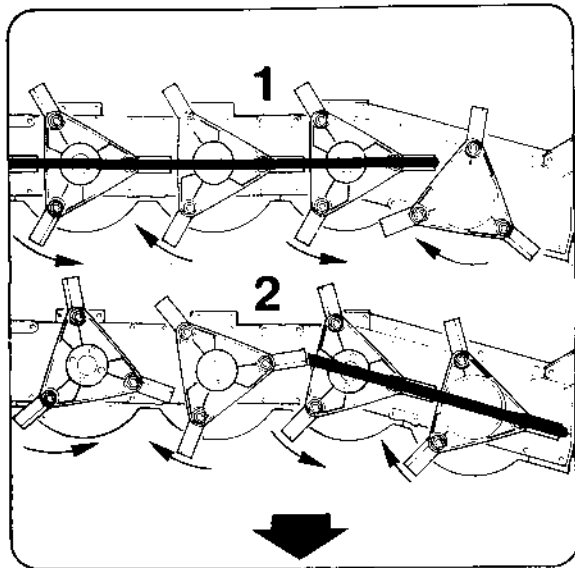
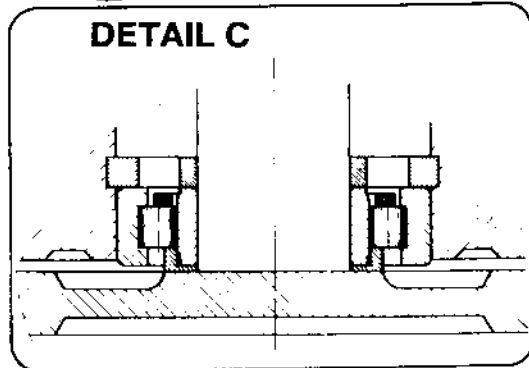
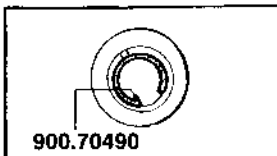
KM 241



DETAIL A



DETAIL B



Ma-30 Nm
302.68.830
978.84628

978.84628

994.18110

994.68819

285.08.050

303.61.820

178.70532

178.80650

314.67.800

285.08.050

902.84432

314.67.100

Ma-30 Nm

302.74.816

Ma-70 Nm

303.61.140

285.08.050

Ma-200 Nm

302.57.139

902.64347

Ma-90 Nm

305.77.100

902.58700

900.81160

311.03.432

993.67971

994.21751

310.02.720

993.61365

401.17.208

194.38256

303.61.820

285.08.050

314.61.800

194.11172

310.02.720

902.53396

902.84287

Ma-90 Nm 302.68.120

994.61192

194.10338

Ma-90 Nm

305.77.100

902.58699

900.81160

900.21333

308.03.719

308.03.855

361.07.016

314.25.007

401.01.527

900.70359

B - 900.70490

401.30.207

900.70360

900.81687

287.09.003

bestelnummer
ordernumber
num. à commander
Bestellnummer

178.70532	3
178.80650	2
194.10337	2
194.10338	3
194.11172	1
194.38256	3
900.21333	5
900.70359	5
900.70360	5
900.70490	5
900.81160	18
900.81543	1
900.81687	5
902.53396	1
902.58699	9
902.58700	9
902.64347	1
902.84287	1
902.84432	1
978.84628	2
993.61365	1
993.67971	1
994.18110	1
994.21751	1
994.61192	5
994.68819	1
285.08.050	
287.09.003	
302.57.139	1
302.68.120	20
302.68.830	6
302.74.816	6
303.61.140	4
303.61.820	9
305.77.100	18
308.03.719	5
308.03.855	5
310.02.720	2
311.03.432	1
314.25.007	5
314.61.800	2
314.67.100	4
314.67.800	6
361.07.016	5
401.01.527	5
401.30.207	5
401.17.208	1

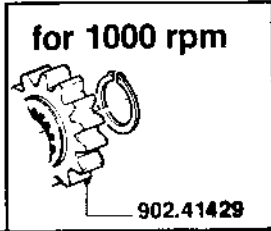
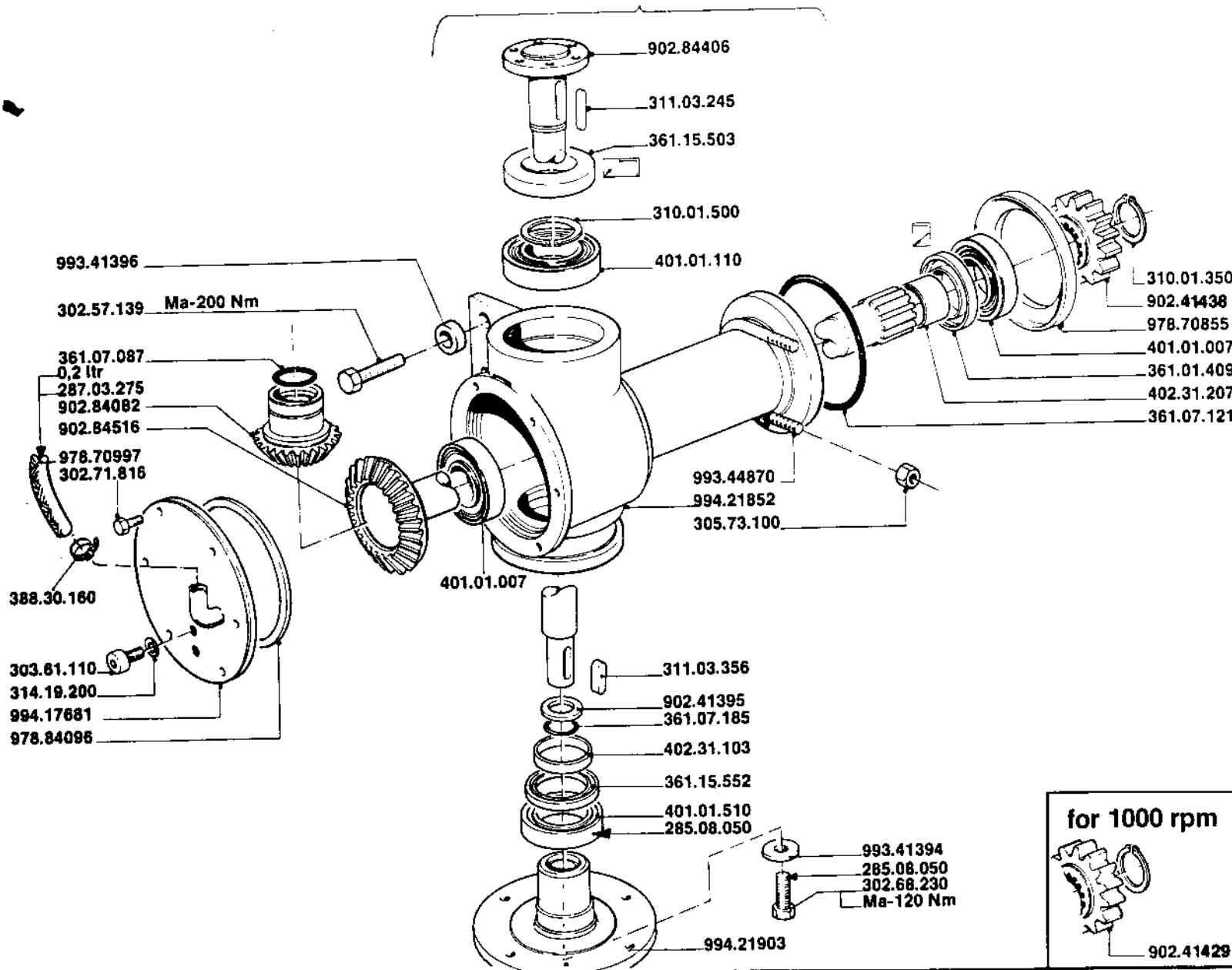
R
L
L
R

Loctite TL270-50cc
Smeervet
8.8-UNF5/8x51
K100-M10x20
K100-M8x30
10.9-M8x16
10.9-M10x40
10.9-M8x20
10/M10
13x55
8x55
1.72
10x8-32
6207-AV
8,4
A10
A8
34,6x2,62
6207-2RS
NU 207-C3
633028-2RS



bestelnummer
ordernumber
num. à commander
Bestellnummer

792.90042



792.90042	1	
902.41395	1	
902.41438	1	Z-15 (700 RPM)
902.84082	1	
902.84406	1	
902.84516	1	
978.70855	1	
978.84096	1	
993.41394	1	
994.17681	1	
994.21852	1	
994.21903	1	
285.08.050		Loctite TL270-50cc
302.68.230	1	K100-M12x30
302.71.816	8	8.8-M8x16
303.61.110	2	10.9-M10x10
310.01.350	1	A35
310.01.500	1	A50
311.03.245	1	B6x6-45
311.03.356	1	B8x7-56
314.19.200	2	A10x16x1
361.01.409	1	40x65x10A
361.07.087	1	33x3,5
361.07.121	1	110,72x3,53
361.07.185	1	30x5
361.15.503	1	50x90x10C
361.15.552	1	55x72x10C
401.01.007	2	6207-C3
401.01.110	1	6210
401.01.510	1	6210-2RS
402.31.103	1	50x55x20
402.31.207	1	IR35x40x20,5
287.03.275		MIL-L-2105B
302.57.139	3	8/UNF5/8x51
305.73.100	2	8/M10
388.30.160	1	16-25
978.70997	1	
993.41396	3	
993.44870	1	
902.41429	1	Z-21 (1000 RPM)

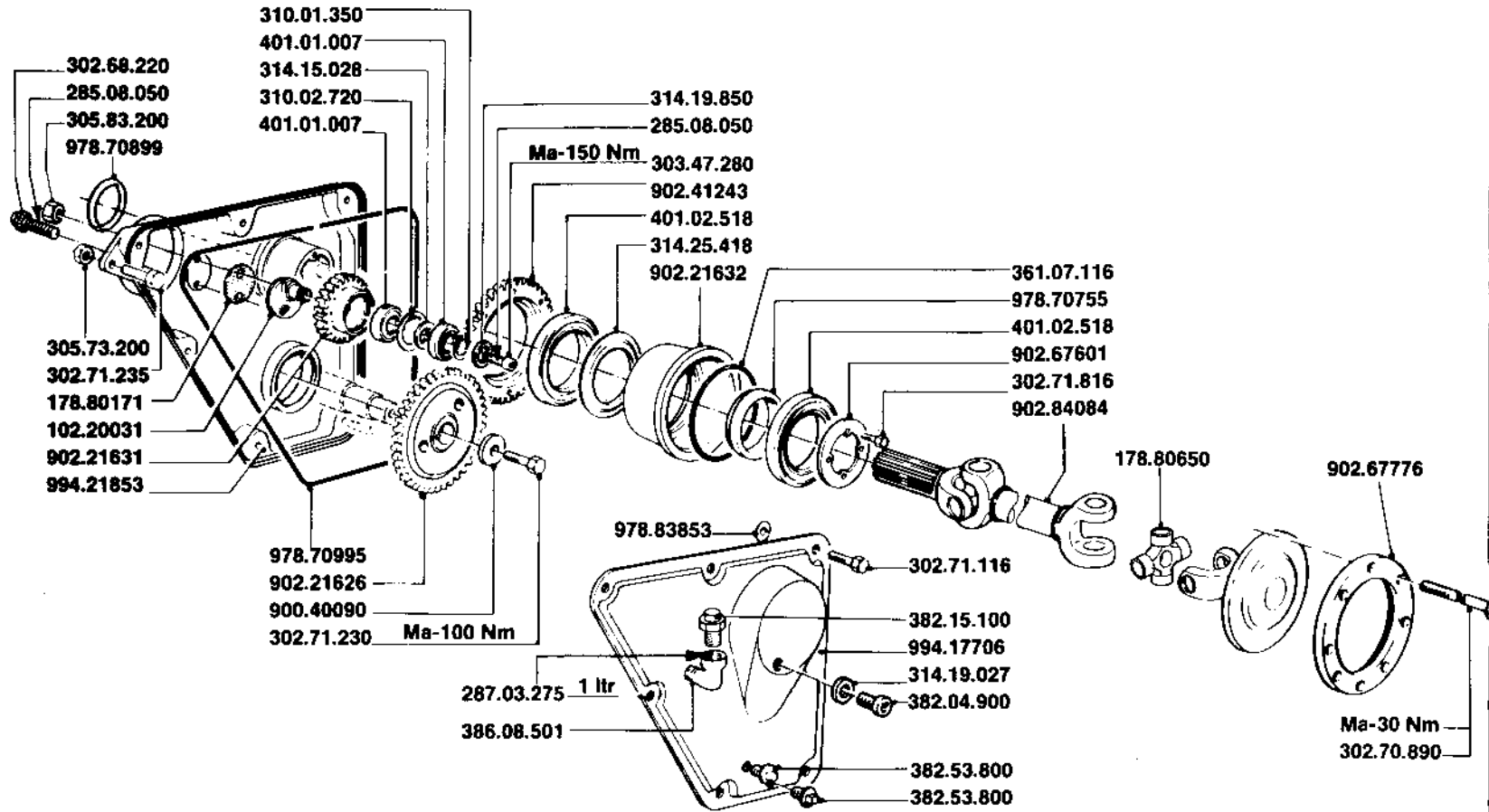
serial number 27025

L13

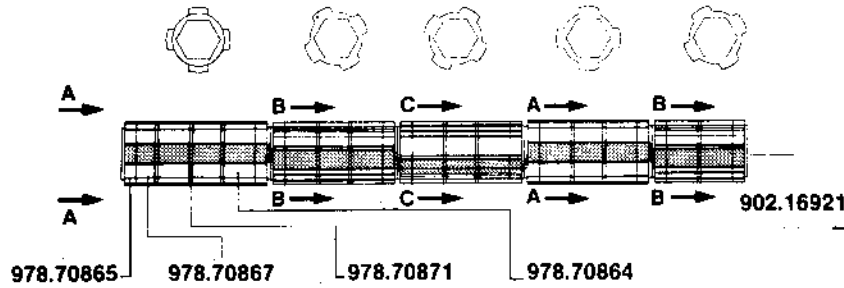
KM 241

792.90044

bestelnummer
ordernumber
num. à commander
Bestellnummer

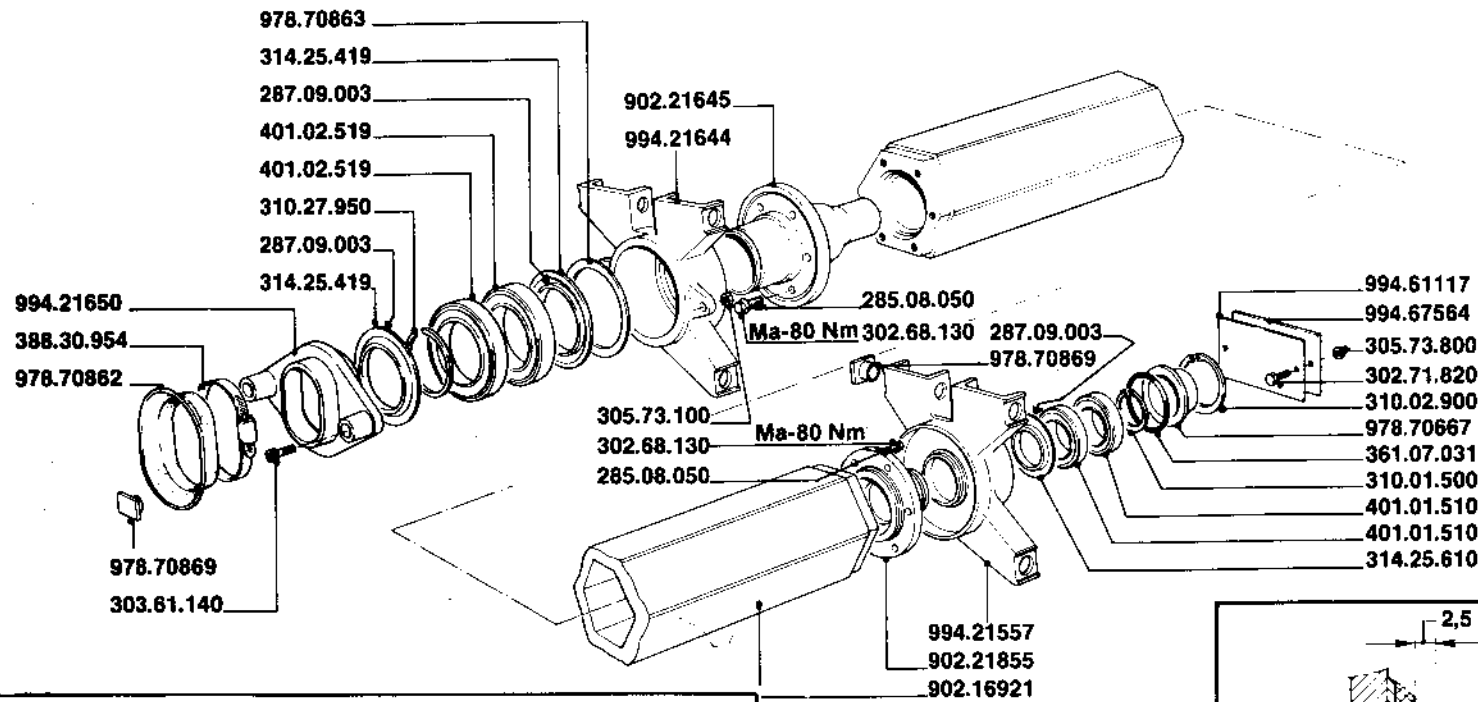


792.90044	1	
102.20031	1	
178.80171	1	
902.21626	1	
902.21631	1	
902.21632	1	
902.41243	1	
902.67601	1	
978.70755	1	
994.21853	1	
285.08.050		Loctite TL270-50cc:
302.68.220	1	K100-M12x20
302.71.816	4	8.8-M8x16
303.47.280	1	12.9-M12x80
305.83.200	1	K10/M12
310.01.350	1	A35
310.02.720	1	I.72
314.15.028	1	35x45x2.5
314.19.850	1	A12x16x1.5
314.25.418	1	6018-JV
401.01.007	2	6207-C3
401.02.518	2	6018-2RS
401.05.111	1	1211
178.80650	2	
978.83853	7	
900.40090	1	
902.67776	1	
902.84084	1	
978.70899	1	
978.70995	1	
994.17706	1	
287.03.275		MIL-L-2105B
302.70.890	8	8.8-M8x90
302.71.116	7	8.8-M10x16
302.71.230	1	8.8-M12x30
302.71.235	3	8.8-M12x35
305.73.200	3	8/M12
314.19.027	1	27x32x2
361.07.116	1	139,37x2,62
382.04.900	1	5.8-G3/4
382.15.100	1	G1/2
382.53.800	2	G1/2
386.08.501	1	K1/2x1 1/2



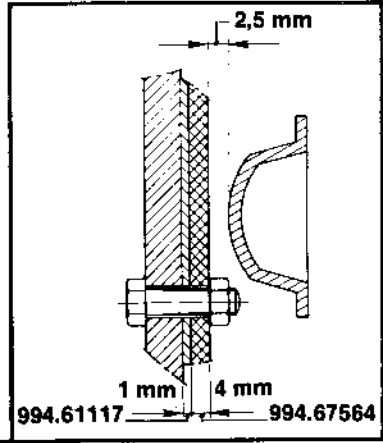
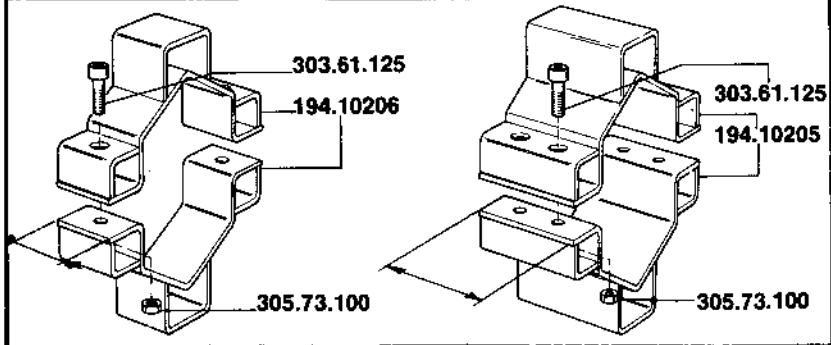
bestelnummer
order number
num. à commander
Bestellnummer

902.96067	1
902.16921	1
978.70864	14
978.70865	10
978.70867	1
978.70871	10



902.16921	1
902.21645	1
902.21855	1
978.70667	1
978.70862	1
978.70863	1
978.70869	10
994.21557	1
994.21644	1
994.21650	1
994.61117	1
994.67564	1
285.08.050	
287.09.003	
302.68.130	12
302.71.820	2
303.61.140	2
305.73.100	2
305.73.800	2
310.01.500	1
310.02.900	1
310.27.950	1
314.25.419	2
314.25.610	1
361.07.031	1
388.30.954	1
401.01.510	2
401.02.519	2

Loctite TL270-50cc
Smeervet
K100-M10x30
8.8-M8x20
10.9-M10x40
8/M10
8/M8
A50
1.90
SP 95
6019-ZJV
6210-ZJV
86x2
120-140/13
6210-2RS
6019-2RS



194.10205	2
194.10206	2
303.61.125	6
305.73.100	6

10.9-M10x25
8/M10

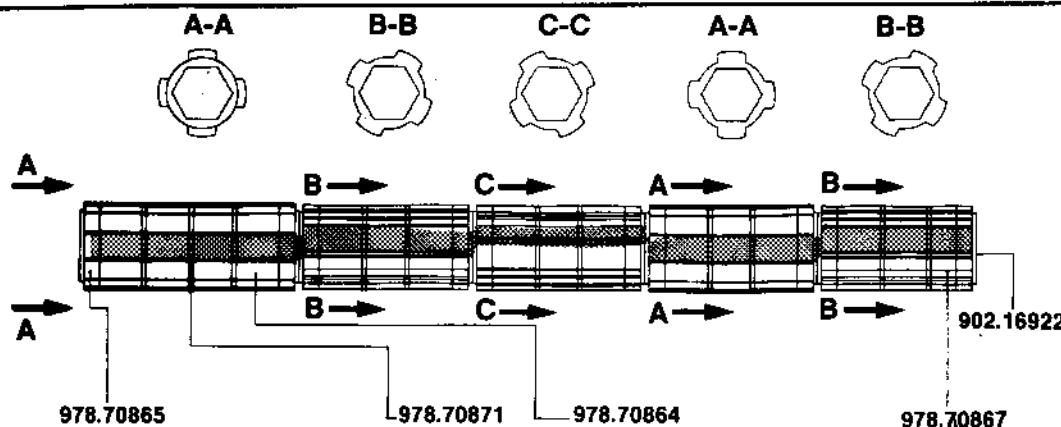
serial number 025

L15

KM 241

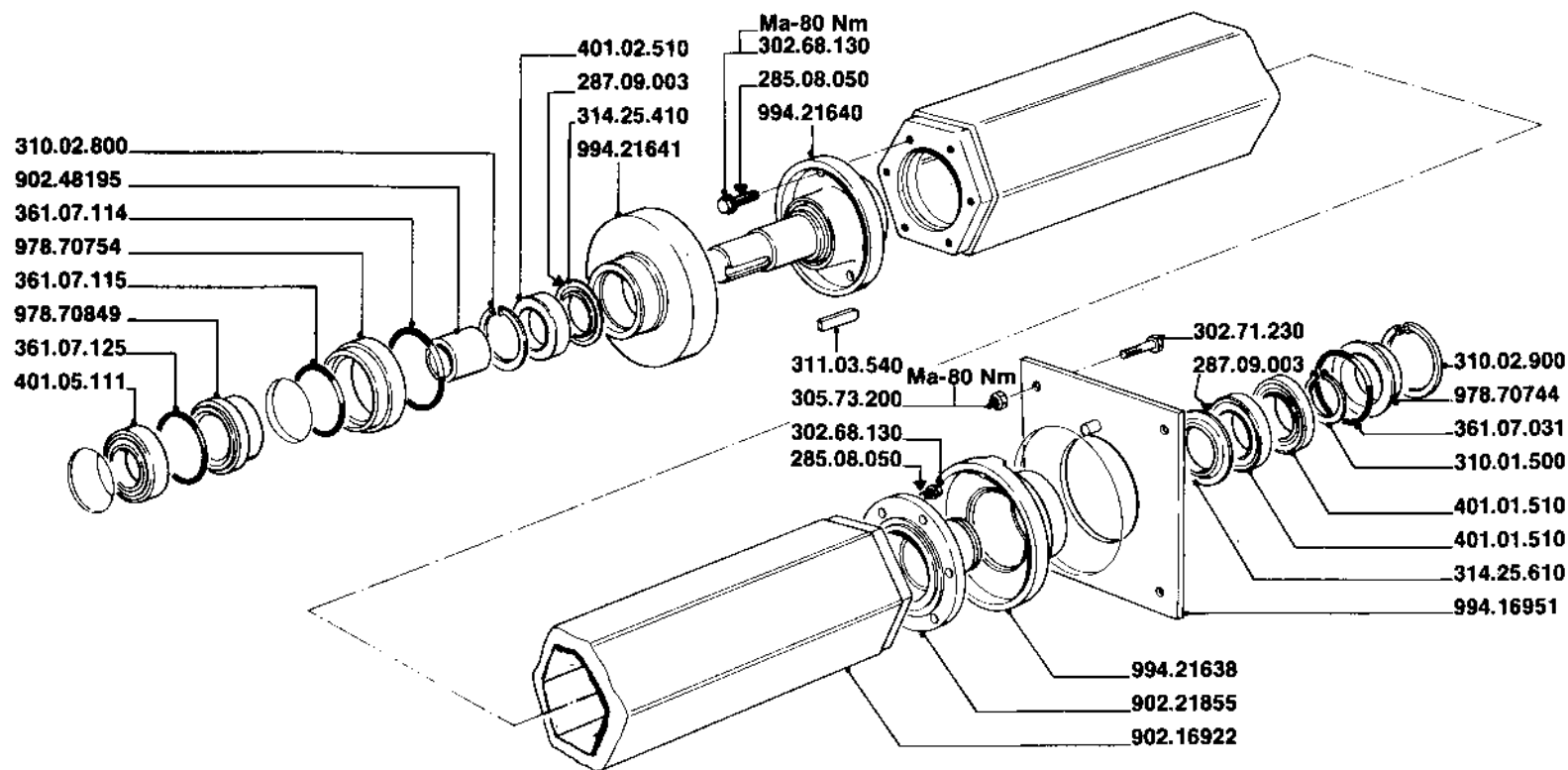


902.96068



bestelnummer
ordernumber
num. à commander
Bestellnummer

902.96068	1
902.16922	1
978.70864	15
978.70865	10
978.70867	1
978.70871	11



902.16922	1
902.21855	1
902.48195	1
978.70744	1
978.70754	1
978.70849	1
994.16951	1
994.21638	1
994.21640	1
994.21641	1
285.08.050	1
287.09.003	1
302.68.130	12
302.71.230	4
305.73.200	4
310.01.500	1
310.02.800	1
310.02.900	1
311.03.540	1
314.25.410	1
314.25.610	1
361.07.031	1
361.07.114	1
361.07.115	1
361.07.125	1
401.01.510	1
401.01.510	1
401.01.510	1
401.02.510	2
401.05.111	1
994.21638	1
902.21855	1
902.16922	1

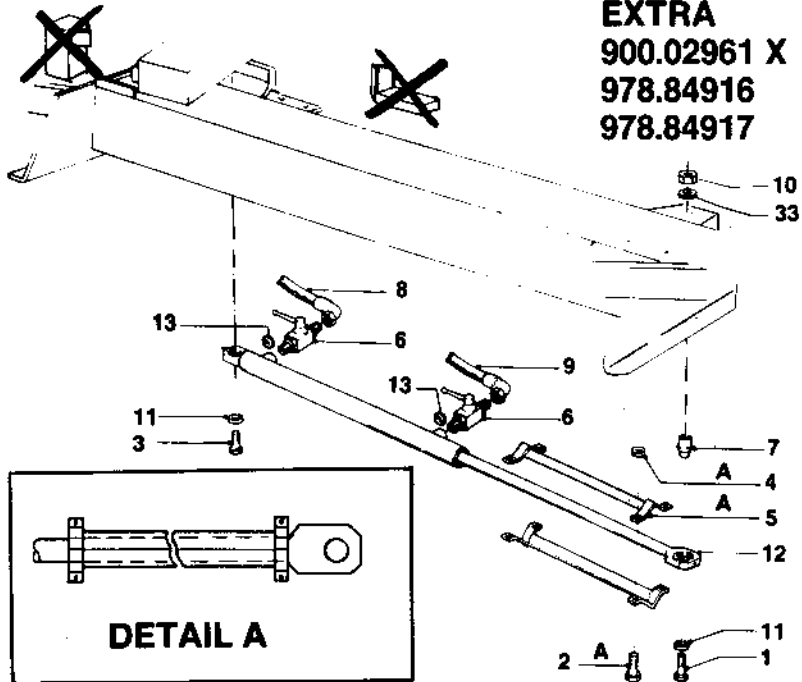
Loctite TL270-50cc
Smeervet
K100-M10x30
8.8-M12x30
8/M12
A50
1.80
1.90
B12x8-40
6010-ZAV
6210-ZJV
86x2
94,62x5,33
85,09x5,33
91,67x3,53
6210-2RS
6010-2RS
1211

serial number 27025

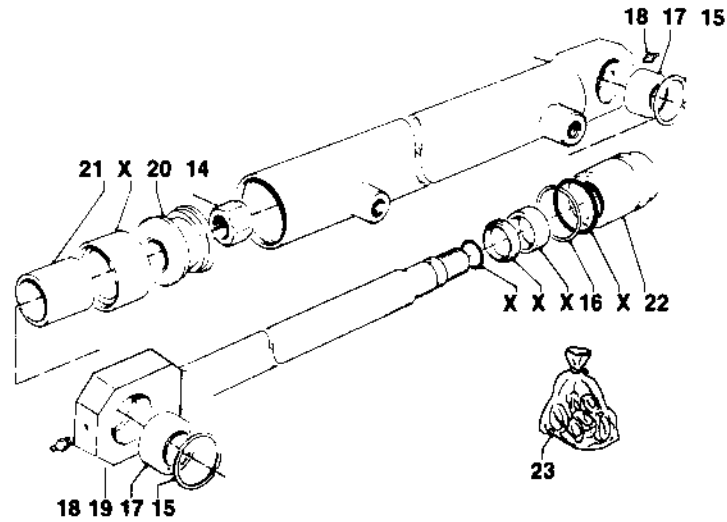
L16

KM 241

EXTRA
900.02961 X
978.84916
978.84917

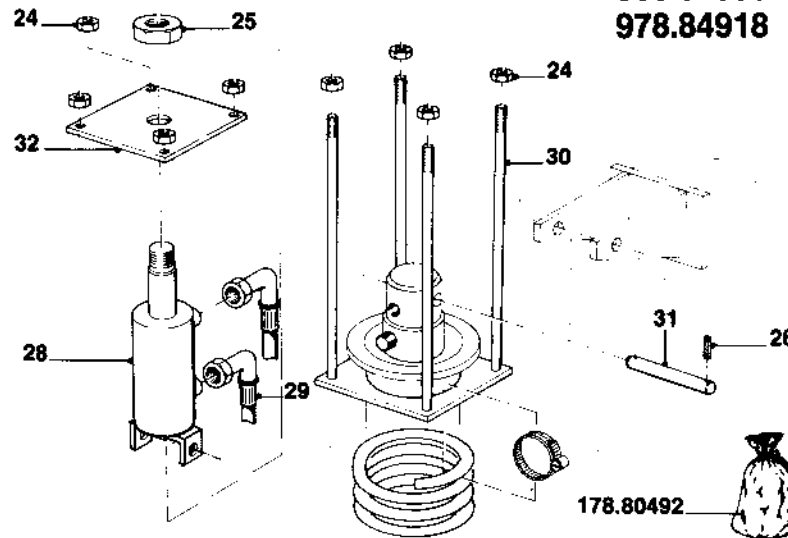


994.84439



Extra		
8	978.84916	1 L=3700
9	978.84917	1 L=4800
-	900.02961X	1
1	302.70.490	1 8.8-M16x90
2	302.70.850	4 8.8-M8x50
3	302.71.450	1 8.8-M16x50
4	305.61.800	4 8/M8
5	194.10173	2 M18x1,5
6	978.97005	2
7	902.44788	1
10	305.61.400	1 8/M16
11	993.41300	2
12	994.84439	1
13	314.19.018	2 A18x22x1,5
33	993.64347	1
-	994.84439	1
14	305.74.940	1 8/M27x2
15	310.07.055	2 SB 55
16	310.24.600	1 B 60
17	403.10.407	2 GE 35DO
18	417.01.200	2 G1/8
19	902.84343	1
20	902.84345	1
21	902.84346	1
22	902.84347	1
23	978.84348	1

EXTRA
900.02958 X
978.84918



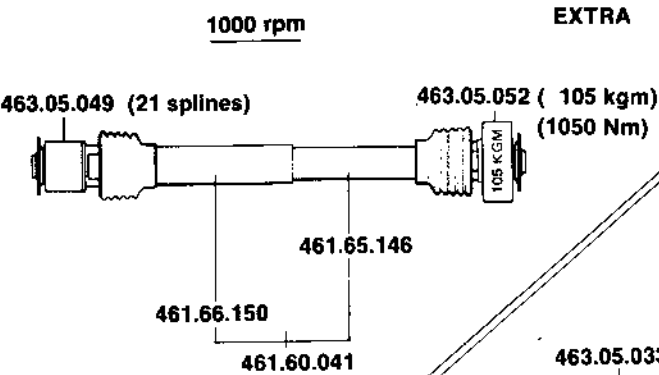
Extra		
29	978.84918	2 L=5500
-	900.02958X	1
24	305.61.400	8 8/M16
25	305.61.920	1 8/M24
26	308.53.640	2 6x40
28	178.80297	1
30	193.10807	1
31	193.37269	1
32	194.37250	1
	178.80492	1

70.001.701-18

PE01303

serial number 27015-B/27016-B/27017/27019/27021/27025 C2

KM 241



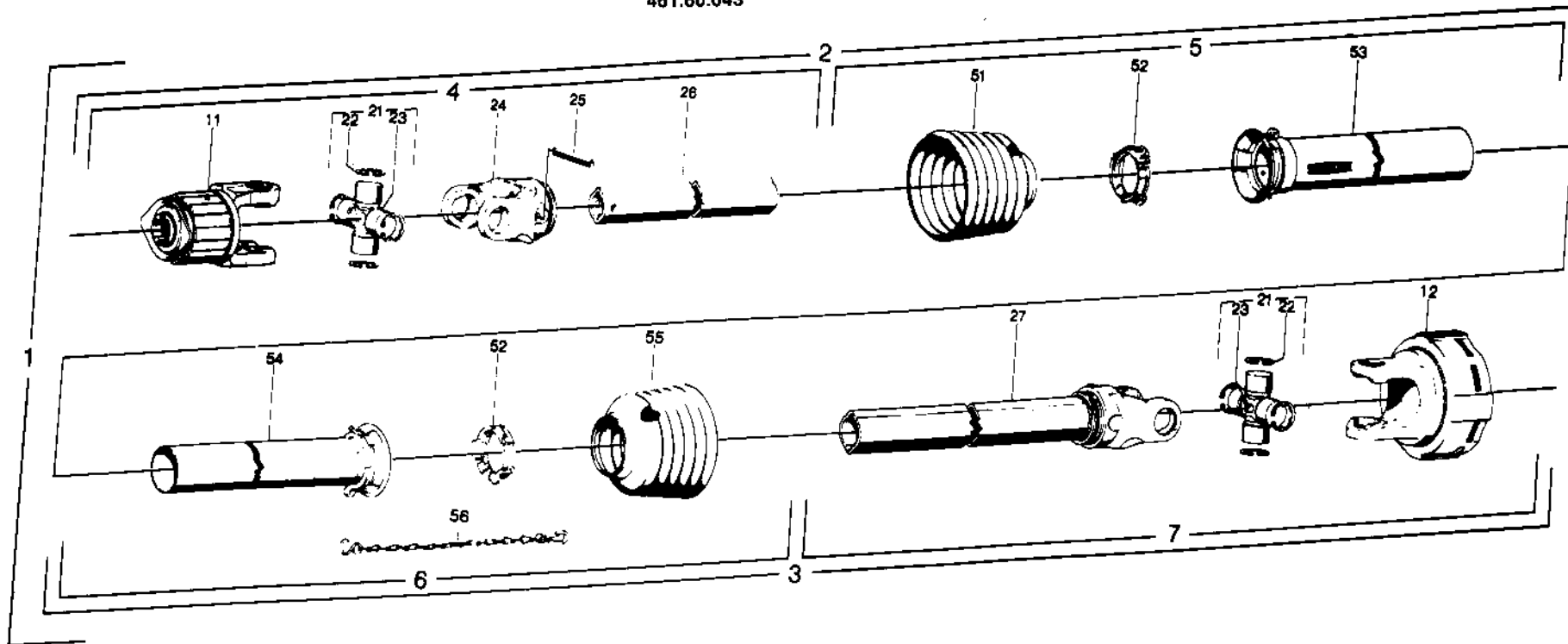
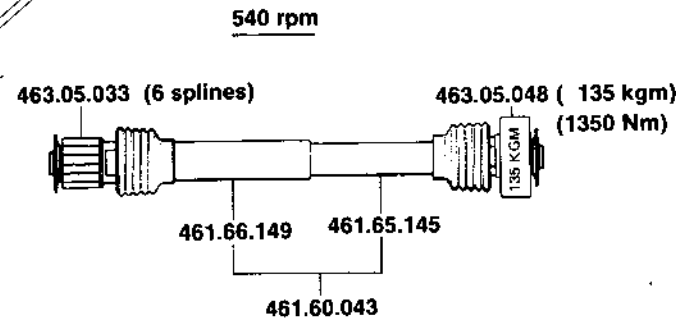
1	461.60.043	W2400-25-610-F3-K92/4
2	461.66.149	5618102-5622116
		WH2400-25-570-3R
		5618102-profiel-1B
3	461.65.145	W2400-25-515-K92/4
		5622116-profiel-2A

	Vicon	Walterscheid
5	463.12.017	82164
6	463.11.017	82163
11	463.05.033	56.181.02
12	463.05.048	56.221.16-1350 Nm
21	462.62.150	35.00.00
22	310.03.010	62.37.00
23	417.02.845	63.27.00
24	462.43.501	35.13.00
25	308.03.180	10x80
26	462.64.135	75.25.15-520
27	462.64.334	35.14.111-515
51	462.92.518	84.13.06
52	462.92.641	82.83.04
53	462.95.864	80.39.03-405
54	462.95.778	80.38.03-405

55	462.92.519	84.14.06
56	462.22.301	82.36.03

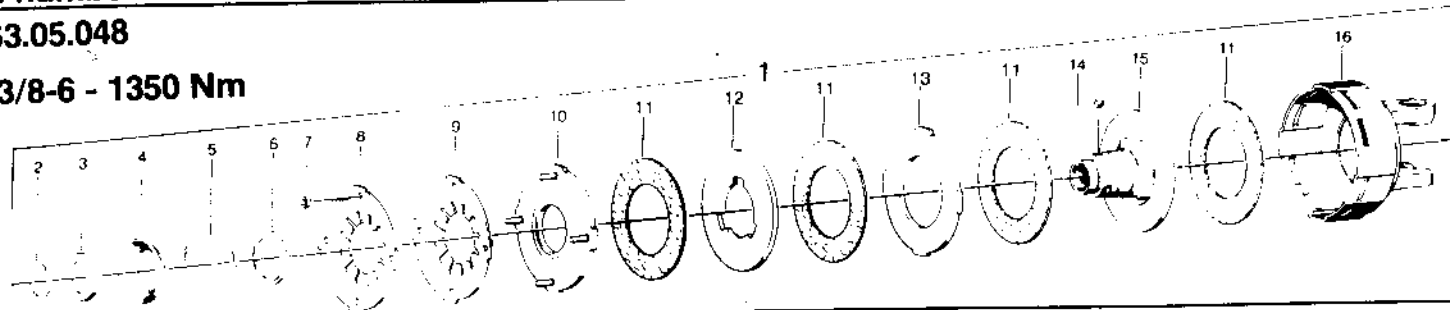
EXTRA

461.60.041	1	W2400-25-610-F5/1-K9-
		5611240-5622116
461.65.146	1	W2400-25-515-K92/4
		5622116-profiel-2A
461.66.150	1	WH2400-25-570-F5/1-1
		5611240-profiel-1B
463.05.049	1	5611240
463.05.052	1	5622116-1050 Nm



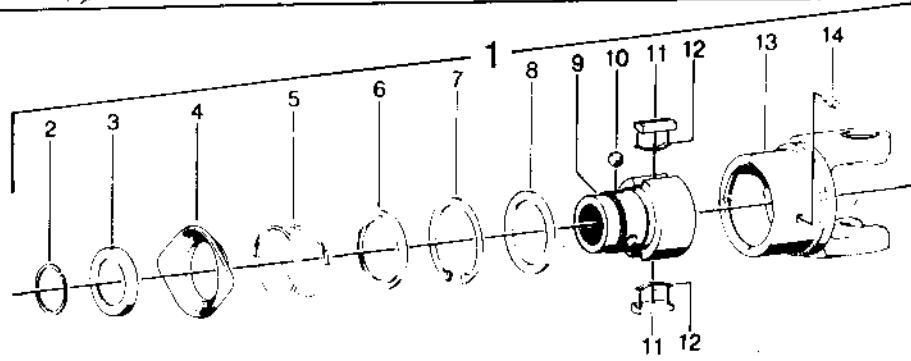
463.05.048

1 3/8-6 - 1350 Nm



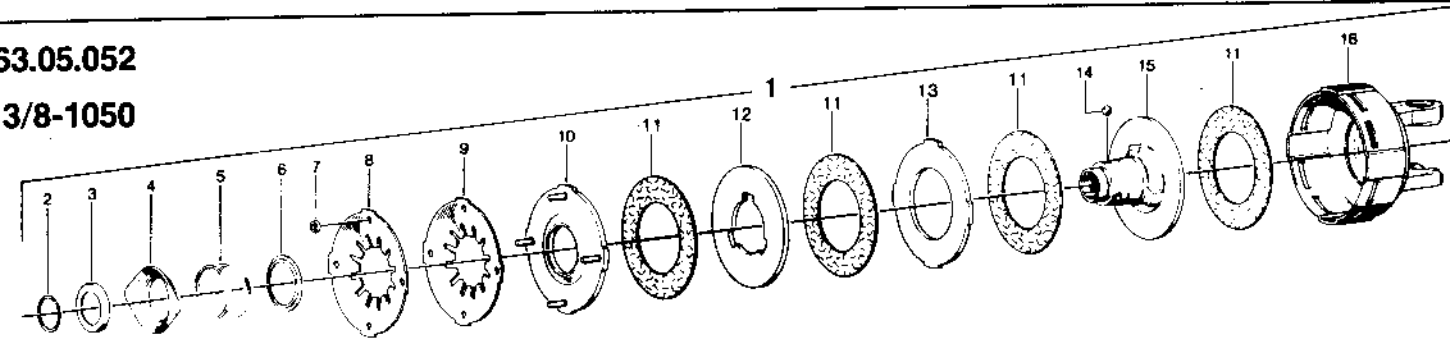
463.05.049

1 3/8-21



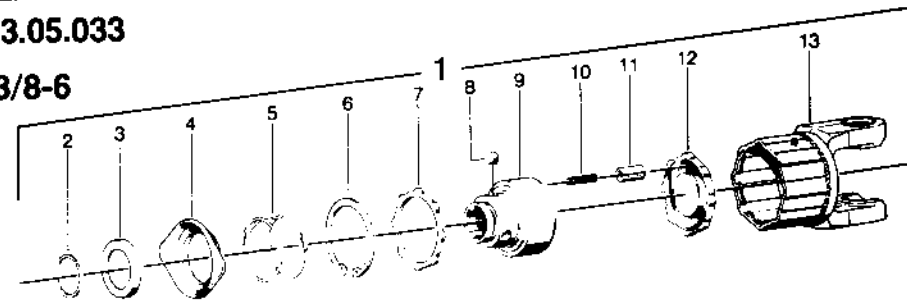
463.05.052

1 3/8-1050



463.05.033

1 3/8-6



1	463.05.033	56.181.02
2	310.27.142	62.07.00
3	463.01.161	16.20.14
4	463.01.550	65.03.05
5	463.01.131	66.01.46
6	310.02.800	62.15.00
7	463.01.211	55.15.10
8	349.05.012	64.01.02
9	463.01.650	56.11.05
10	463.01.132	66.01.44
11	463.01.111	56.78.01
12	463.01.326	56.12.00
13	463.01.706	35.31.19

	Vicon	Walterscheid
1	463.05.048	56.221.16-1350 Nm
2	310.27.142	62.07.00
3	463.01.161	16.20.14
4	463.01.550	65.03.05
5	463.01.131	66.01.46
6	463.01.160	16.20.16
7	305.61.800	M8/8
8	463.01.141	66.09.00
9	463.01.142	66.10.00
10	463.01.311	56.66.05
11	463.01.350	56.73.00
12	463.01.325	56.67.01
13	463.01.323	56.66.02
14	349.05.012	64.01.02
15	463.01.383	56.64.12
16	463.01.700	35.62.01
1	463.05.049	56.112.40-F5/1R
2	310.27.150	62.10.02
3	463.01.163	16.20.52
4	463.01.550	65.03.05
5	463.01.131	66.01.46
6	463.01.160	16.20.16
7	310.02.720	62.14.01
8	314.15.009	16.20.67
9	463.01.453	56.19.13
10	349.05.012	64.01.02
11	463.01.150	16.50.35
12	463.01.138	66.19.01
13	463.01.705	35.31.27
14	417.02.800	63.12.01
1	463.05.052	56.221.16-1050 Nm
2	310.27.142	62.07.00
3	463.01.161	16.20.14
4	463.01.550	65.03.05
5	463.01.131	66.01.46
6	463.01.160	16.20.16
7	305.61.800	M8/8
8	463.01.141	66.09.00
9	463.01.142	66.10.00
10	463.01.311	56.66.05
11	463.01.350	56.73.00
12	463.01.325	56.67.01
13	463.01.323	56.66.02
14	349.05.012	64.01.02
15	463.01.383	56.64.12
16	463.01.700	35.62.01

